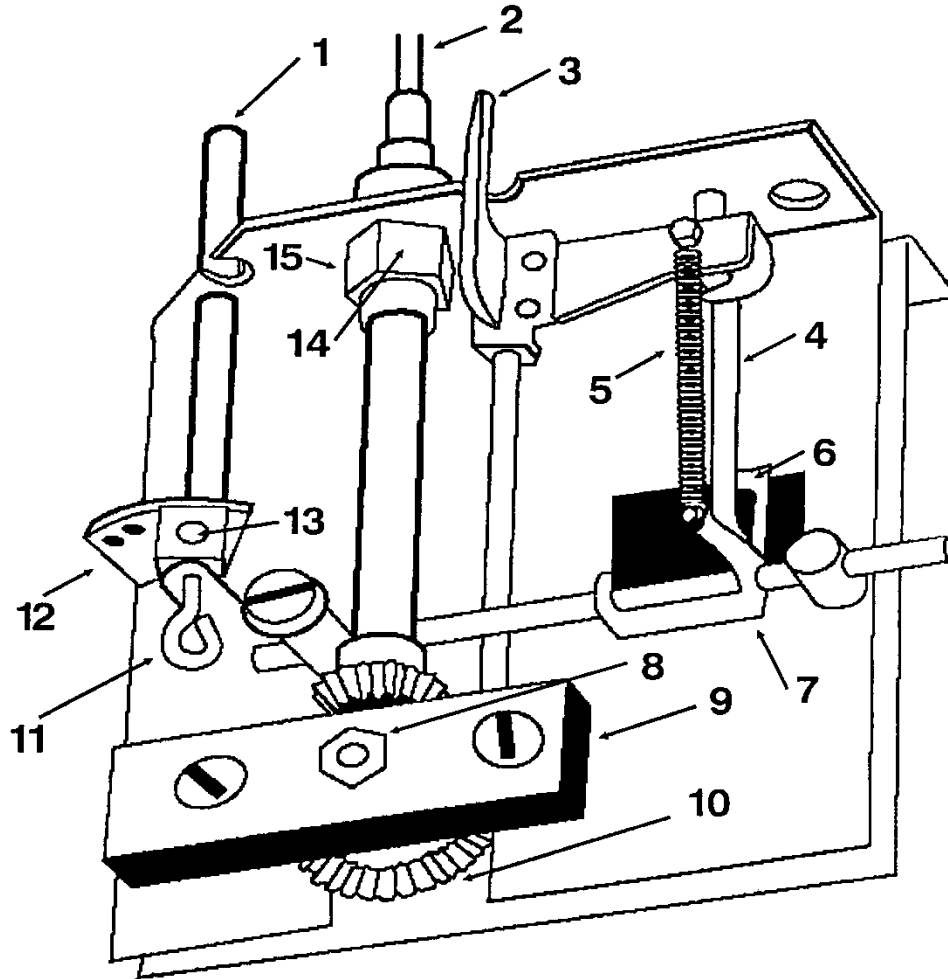


## Register Assembly: Diagram and Parts List



<u>Item #</u>	<u>Part #</u>	<u>Description</u>	<u>Price</u>	<u>Item #</u>	<u>Part #</u>	<u>Description</u>	<u>Price</u>
1	91-0200	Upright Shaft Assembly	\$22.75	10	91-3200	Bevel Gear Assembly	\$51.00
2	91-2400	Drive Shaft Assembly	\$45.00	11	1-02300	Upright Shaft Block Pin	N/A
3	91-2700	Coin Stop Assembly	\$34.75	12	1-01300	Upright Shaft Guide Bracket	N/A
4	1-2800	Z-Bar	\$8.00	13		Set Screw	
5	1-2900	Z-Bar Spring	\$2.50	14		Drive Shaft Cam	
6		Limited Count Large Lever		15	1-1000	Overthrow Lock	\$3.25
7		Limited Count Shaft Assembly			1-1200	Overthrow Lock Spring	\$2.50
8	1-3310	Bevel Gear Shaft - 2 Plate	\$4.00		1-2300	Overthrow Release Link Screw	\$4.25
9	1-3000	Bridge Bearing	\$12.25		3-7600	Tube Clip Shoulder Screw	\$2.50